

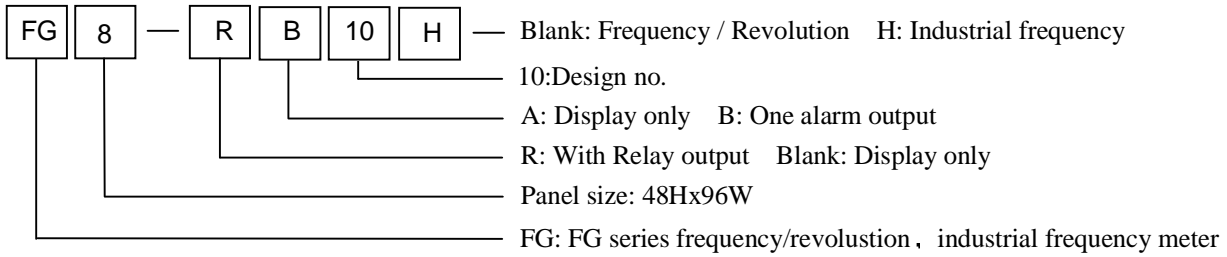
FG8 series Industrial Frequency/Revolution Digital Meter User's Manual



Features:

- ⊙ Big LED display, easy to read
- ⊙ High measuring accuracy, stable performance
- ⊙ FG8-**10 is for measuring frequency, revolution
- ⊙ FG8-**10H is for measuring sine AC frequency
- ⊙ Panel size: 48H×96W mm
- ⊙ Prescale coefficient setting function

1.Code Illustration



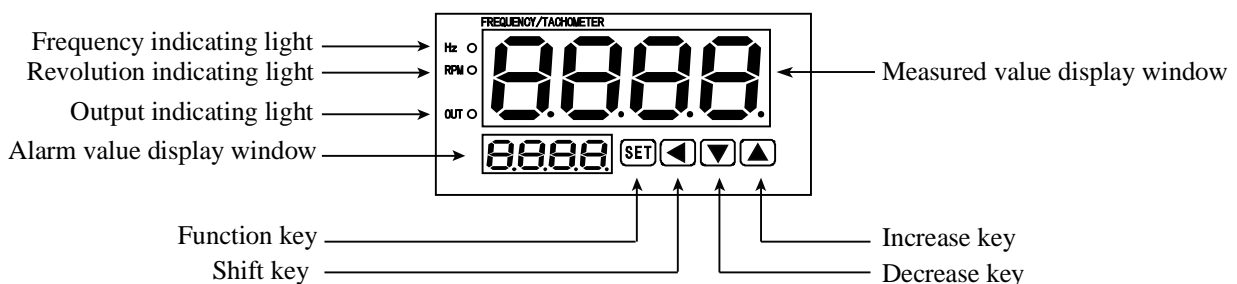
2.Model Indication

Model	Size	Display	Function	Input signal level	Alarm
FG8-A10	48H*96W	Dual row 4 digit	Frequency, revolution	L:0~2Vdc H:5~30Vdc	No
FG8-RB10	48H*96W	Dual row 4 digit	Frequency, revolution	L:0~2Vdc H:5~30Vdc	One alarm
FG8-A10H	48H*96W	Dual row 4 digit	Industrial frequency	60~450VAC	No
FG8-RB10H	48H*96W	Dual row 4 digit	Industrial frequency	60~450VAC	One alarm

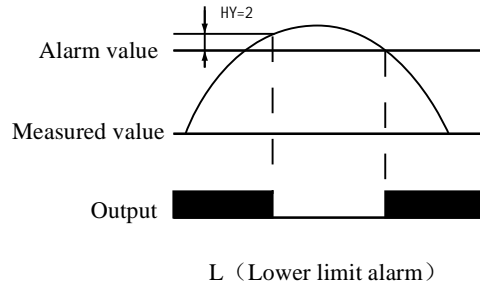
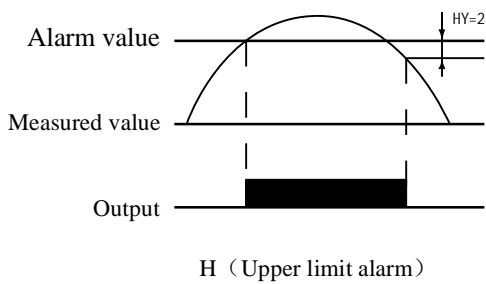
3.Technical Parameters

Function	To measure frequency
Input mode	Frequency/Revolution: L: 0~2V, H: 5~30VDC. Industrial Frequency: 60~450VAC
Measuring range	Frequency:0.1~5000Hz,Industrial Frequency:0.1~1000Hz,Revolution:6~9999RPM
Measuring accuracy	±0.1% (25℃±5℃)
Power consumption	≤3VA
Input impedance	FG8-**10≥10KΩ, FG8-**10H≥300KΩ
Decimal point	Frequency/Industrial Frequency: 00.00~0000(Float decimal point). Revolution: No decimal point .
Responding speed	About 0.5S
Max.Display	9999
Operating humidity	≤85% RH
Operating temperature	0~50℃
Power supply	AC 110V/220V 60/50Hz
Dimension	48mm(H)×96mm(W)×110mm(L)
Weight	350g
Insulation strength	AC 2000V 1min
Insulation impedance	DC 500V ≥100MΩ

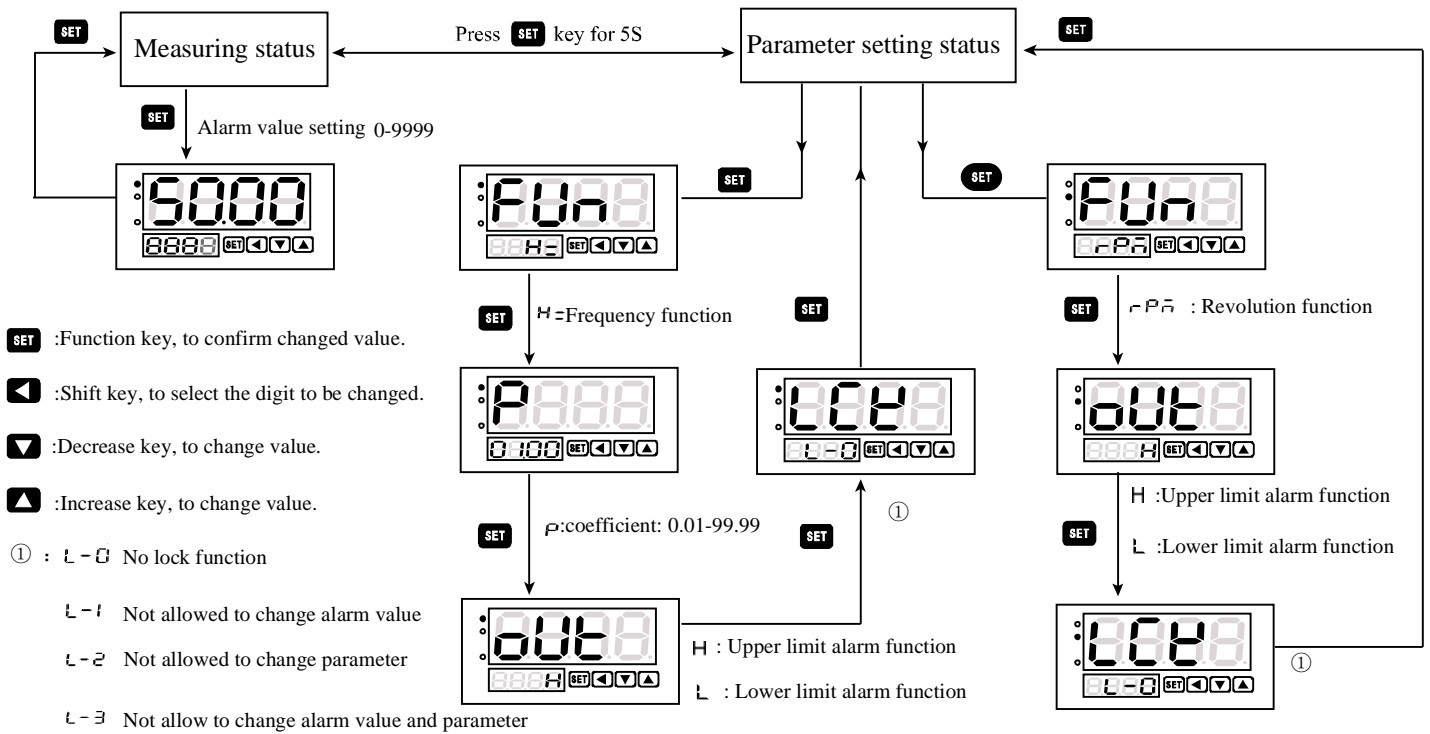
4.Panel Indication



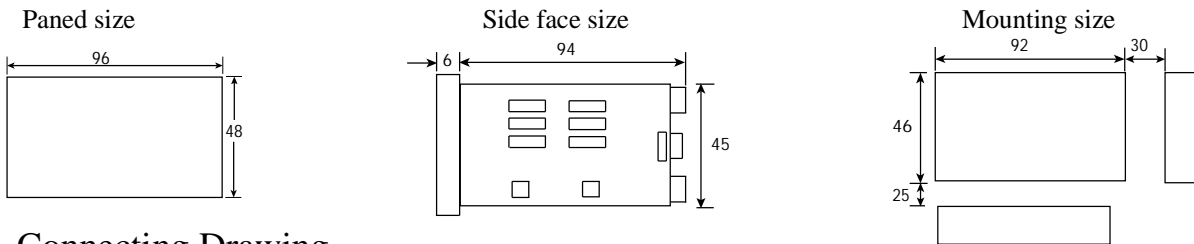
5. Output Logic Chart



6. Operation Sequence



7. Dimension



8. Connecting Drawing

