

## Micon AC servo motor Flange 40 series

### Short introduction:

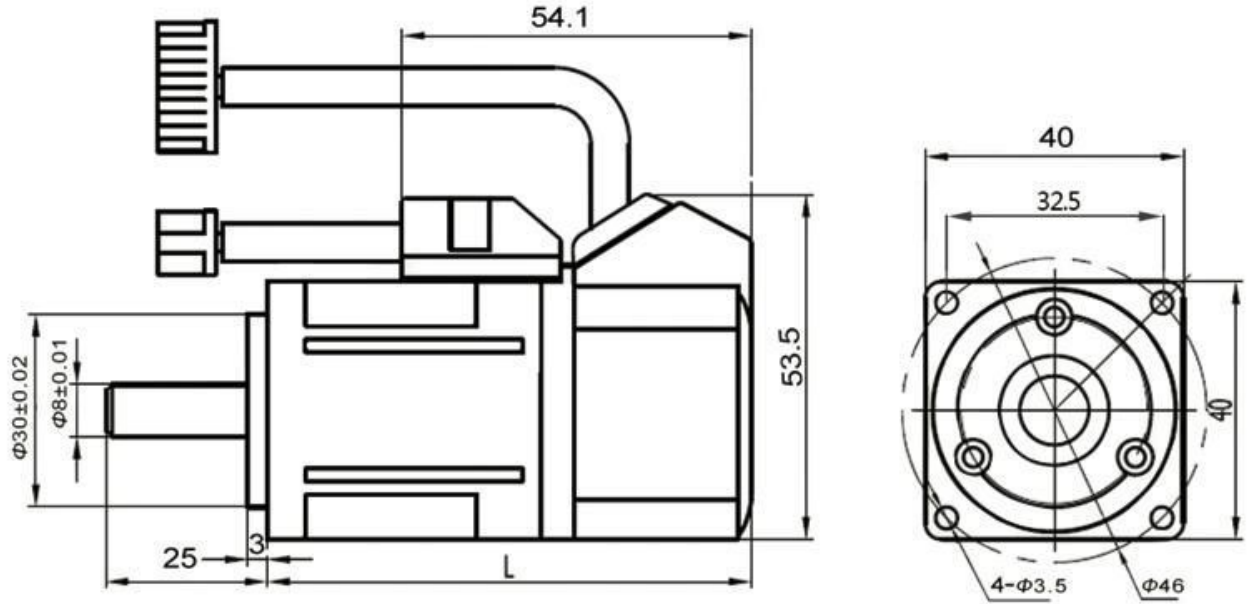
Micon 40 series AC servo motor contains 0.05KW, 0.1KW power specifications, the motor using the Japanese Tamagawa 2500 cable encoder, advanced magnetic circuit design and high temperature permanent magnet materials, servo motor running smoothly, the noise is very small, suitable for a variety of High precision control applications for industrial automation equipment.

### Specification:

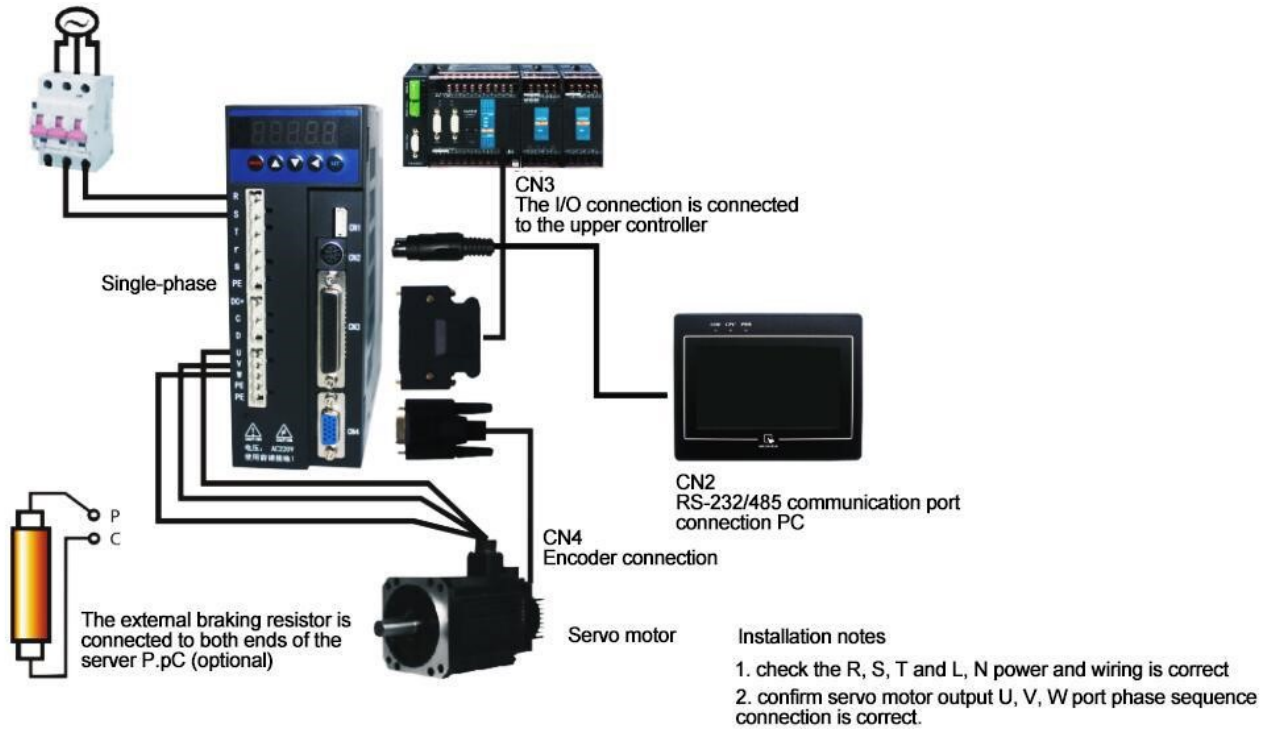
Motor model	MSMT-40M00130	MSMT-40M00330
Rated power (W)	50	100
Rated voltage (V)	220	220
Rated current (A)	0.4	0.9
Rated speed (rpm)	3000	3000
Holding torque (N.m)	0.16	0.32
Peak torque (N.m)	0.32	0.64
Voltage constant	33	30
Torque coefficient	0.4	0.36
Rotor inertia (Kg.m <sup>2</sup> )	0.025 x 10 <sup>-4</sup>	0.051 x 10 <sup>-4</sup>
Phase Resistance (Ω)	108	34
Phase Inductance	108	40
Machanical time	1	1.18
Weight (Kg)	0.32	0.47
Encoder line No.	2500	
Insulation class	Class B (130°C)	
Safety class	IP64	
Operating Environment	Temperature: -20°C ~ +50°C Humidity: Below <90% RH No dewing	
Motor item	MSMT-40M00130	MSMT-40M00330
Motor length	75	90

## Micon AC servo motor Flange 40 series

Motor Size:



Wiring method:



MICON AUTOMATION SYSTEMS PVT. LTD.

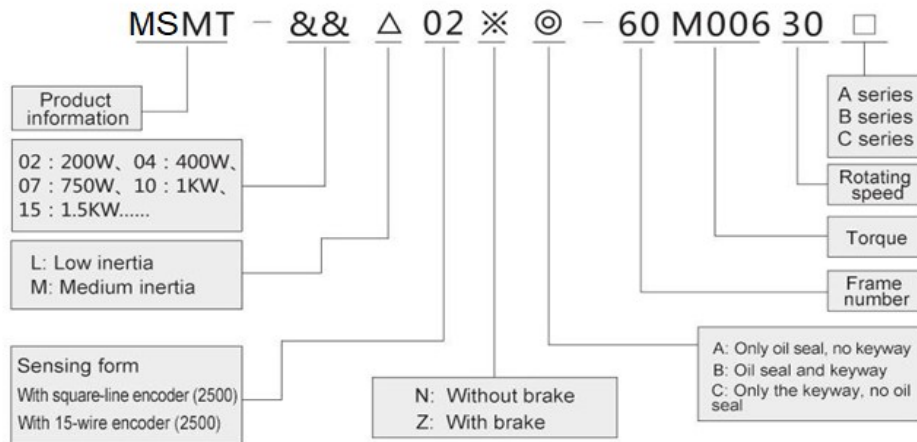
A-814, Siddhi Vinayak Towers, B/H. DCP Office, Off. S. G. Road, Makaraba, Ahmedabad, Gujarat, India – 380 051

Phone: +91-79-29701448 Email: [info@miconindia.com](mailto:info@miconindia.com) Website: [www.miconindia.com](http://www.miconindia.com)

## Micon AC servo motor Flange 40 series

### Name Rules:

**MSMT-02L02NB-60M00630**



### Product Image:



Positive



Side



Back